



Characteristics



- Self-supporting casing construction made of galvanized plated steel, finished in structural epoxy-polyester RAL 9016 as standard. Other colours or stainless steel construction are available on request.
- Low noise centrifugal double inlet fans driven by an external rotor motor with built in thermal protection contact. Provided by five speed selection.
- Micro-perforated inlet grille with filter functions makes unnecessary an intensive filter servicing, only has to be periodically wiped or vacuumed.
- "P" type includes water heated coil. "E" type includes electrical shielded element, three power stages with power switches included. "A" type is without heating, air only.
- Anodised aluminium blow-out vanes, airfoil shaped, adjustable from 0 to 15° each side.
- Control panel and 20m of telephonic cable with fast connectors type RJ45 (Plug & Play), included. Optional: Interface to connect to BMS.

Specifications

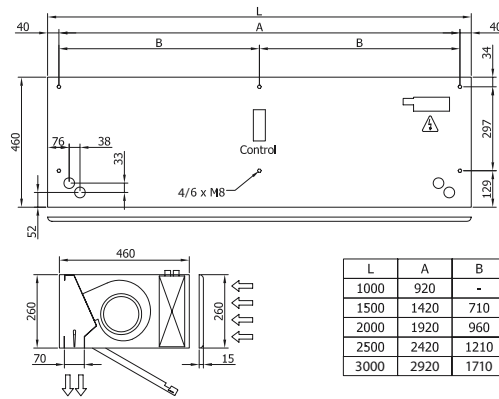
Model	Airflow m3/h	Heating capacity	Water Drop Pressure	Water Connection	Heating Capacity	Water Drop Pressure	Water Connection	Electrical Heating Capacity	Power Fans	Current Fans	Noise Level	Weight kg
		80/60°C kW	80/60°C Pa	80/60°C	60/40°C kW	60/40°C Pa	60/40°C	3x400V-50Hz kW	230V-50Hz kW	230V-50Hz A	(5 m) dB(A)	
S 1000 P	1250	8,53	560	2x3/4"	6,85	2780	2x3/4"	-	0,372	1,68	53	39
S 1000 E	1300	-	-	-	-	-	-	3/6/9	0,372	1,68	53	41
S 1000 A	1300	-	-	-	-	-	-	-	0,372	1,68	53	34
S 1500 P	1875	12,92	500	2x3/4"	10,80	4250	2x3/4"	-	0,558	2,52	54	58
S 1500 E	1950	-	-	-	-	-	-	4/8/12	0,558	2,52	54	62
S 1500 A	1950	-	-	-	-	-	-	-	0,558	2,52	54	50
S 2000 P	2500	18,11	1270	2x3/4"	14,46	3110	2x3/4"	-	0,744	3,36	55	73
S 2000 E	2600	-	-	-	-	-	-	6/12/18	0,744	3,36	55	80
S 2000 A	2600	-	-	-	-	-	-	-	0,744	3,36	55	62
S 2500 P	3125	23,13	2530	2x3/4"	18,10	2600	2x3/4"	-	0,930	4,20	56	79
S 2500 E	3250	-	-	-	-	-	-	6/12/18	0,930	4,20	56	86
S 2500 A	3250	-	-	-	-	-	-	-	0,930	4,20	56	66
S 3000 P	3750	28,39	4440	2x3/4"	21,47	3910	2x3/4"	-	1,116	5,04	57	91
S 3000 E	3900	-	-	-	-	-	-	8/16/24	1,116	5,04	57	99
S 3000 A	3900	-	-	-	-	-	-	-	1,116	5,04	57	76
M 1000 P	1800	10,27	850	2x3/4"	8,72	4250	2x3/4"	-	0,510	2,22	54	39
M 1000 E	1850	-	-	-	-	-	-	3/6/9	0,510	2,22	54	41
M 1000 A	1850	-	-	-	-	-	-	-	0,510	2,22	54	34
M 1500 P	2700	16,98	750	2x3/4"	13,86	6690	2x3/4"	-	0,765	3,33	55	58
M 1500 E	2775	-	-	-	-	-	-	4/8/12	0,765	3,33	55	62
M 1500 A	2775	-	-	-	-	-	-	-	0,765	3,33	55	50
M 2000 P	3600	23,60	1950	2x3/4"	18,58	4870	2x3/4"	-	1,020	4,44	56	73
M 2000 E	3700	-	-	-	-	-	-	6/12/18	1,020	4,44	56	80
M 2000 A	3700	-	-	-	-	-	-	-	1,020	4,44	56	62
M 2500 P	4500	29,16	3860	2x3/4"	23,18	4030	2x3/4"	-	1,275	5,55	57	79
M 2500 E	4625	-	-	-	-	-	-	6/12/18	1,275	5,55	57	86
M 2500 A	4625	-	-	-	-	-	-	-	1,275	5,55	57	66
M 3000 P	5400	35,78	6790	2x3/4"	28,65	7150	2x3/4"	-	1,530	6,66	58	91
M 3000 E	5550	-	-	-	-	-	-	8/16/24	1,530	6,66	58	99
M 3000 A	5550	-	-	-	-	-	-	-	1,530	6,66	58	76
G 1000 P	2700	13,10	1300	2x3/4"	11,31	6830	2x3/4"	-	0,765	3,33	55	44
G 1000 E	2775	-	-	-	-	-	-	5/10/15	0,765	3,33	55	46
G 1000 A	2775	-	-	-	-	-	-	-	0,765	3,33	55	38
G 1500 P	3600	20,30	1050	2x3/4"	16,72	9410	2x3/4"	-	1,020	4,44	56	64
G 1500 E	3700	-	-	-	-	-	-	7,5/15/22,5	1,020	4,44	56	68
G 1500 A	3700	-	-	-	-	-	-	-	1,020	4,44	56	55

WINDBOX S,M,G | High Pressure Air Curtains For Commercial And Industrial Doors

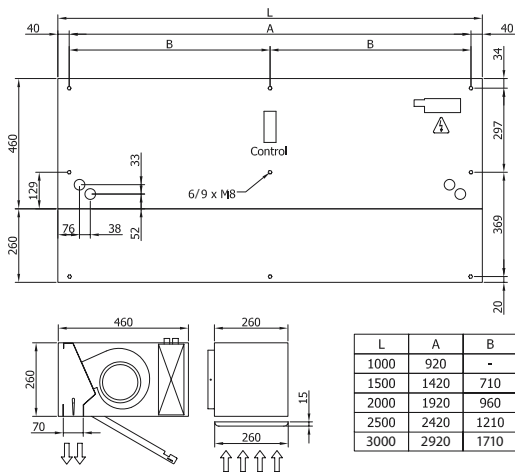


Model	Airflow m ³ /h	Heating capacity 80/60°C kW	Water Drop Pressure 80/60°C Pa	Water Connection 80/60°C	Heating Capacity 60/40°C kW	Water Drop Pressure 60/40°C Pa	Water Connection 60/40°C	Electrical Heating Capacity 3x400V-50Hz kW	Power Fans 230V-50Hz kW	Current Fans 230V-50Hz A	Noise Level (5 m) dB(A)	Weight kg
G 2000 P	5400	30,40	3320	2x3/4"	24,18	7860	2x3/4"	-	1,530	6,66	57	83
G 2000 E	5550	-	-	-	-	-	-	10/20/30	1,530	6,66	57	90
G 2000 A	5550	-	-	-	-	-	-	-	1,530	6,66	57	72
G 2500 P	6300	36,00	5680	2x3/4"	28,90	6000	2x3/4"	-	1,785	7,77	58	87
G 2500 E	6475	-	-	-	-	-	-	10,7/21,3/32	1,785	7,77	58	96
G 2500 A	6475	-	-	-	-	-	-	-	1,785	7,77	58	76
G 3000 P	7200	42,91	9530	2x3/4"	34,62	10070	2x3/4"	-	2,040	8,88	59	99
G 3000 E	7400	-	-	-	-	-	-	10,7/21,3/32	2,040	8,88	59	109
G 3000 A	7400	-	-	-	-	-	-	-	2,040	8,88	59	86

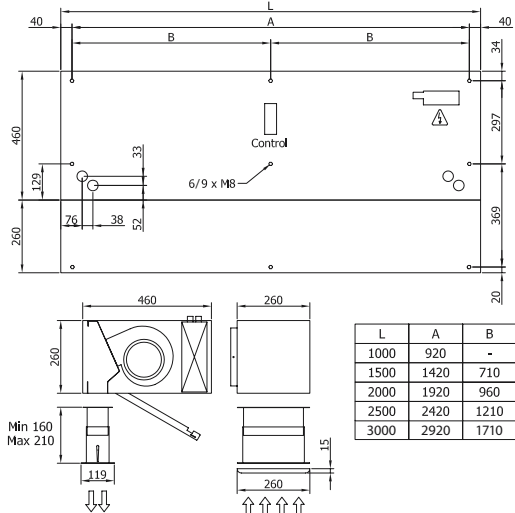
Layouts and dimensions



Free hanging mounting



Inside ceiling surface mounting



False ceiling invisible mounting